

4

3

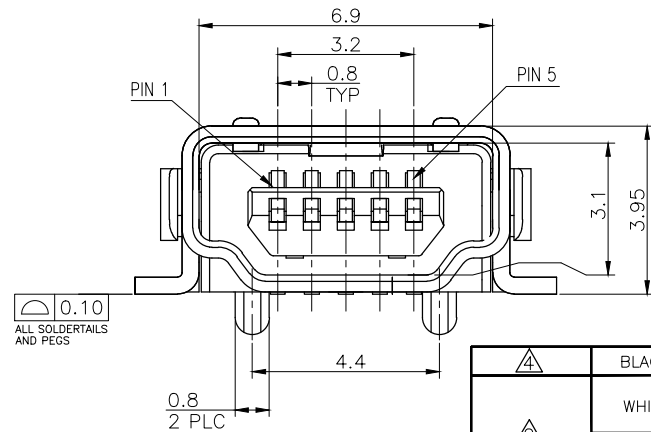
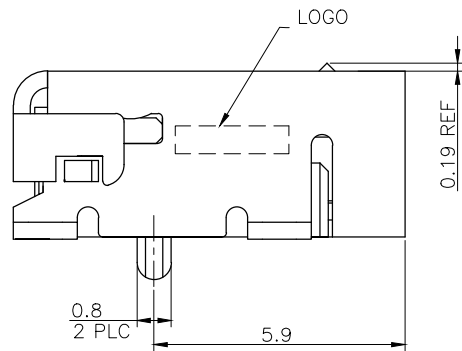
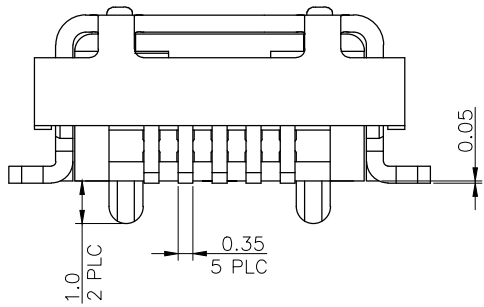
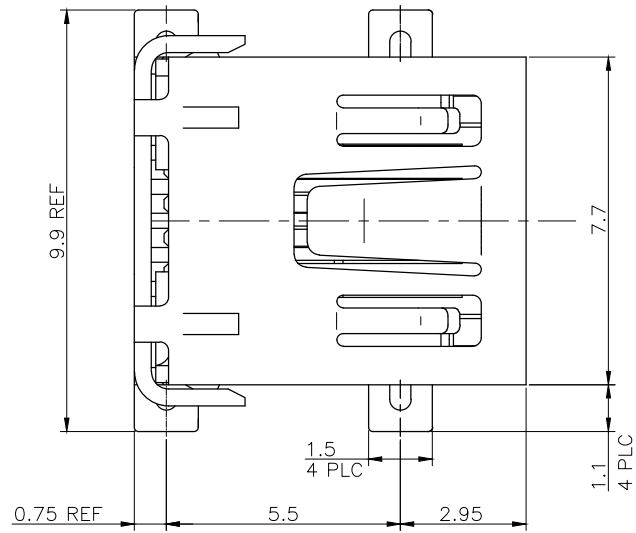
2

1

THIS DRAWING IS UNPUBLISHED. RELEASED FOR PUBLICATION AUG ,2006.

© COPYRIGHT BY TYCO ELECTRONICS CORPORATION. ALL RIGHTS RESERVED.

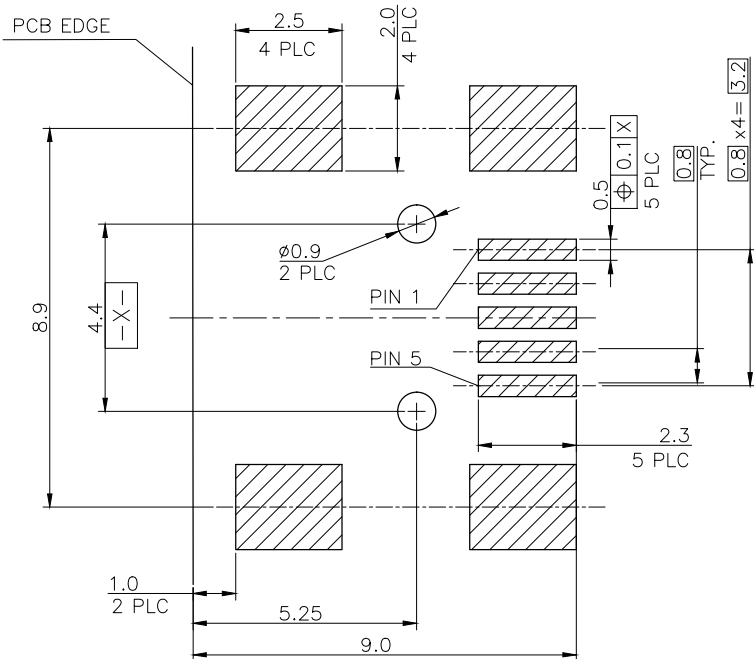
LOC		DIST		REVISIONS			DATE	DWN	APVD
P	LTR	DESCRIPTION							
DW		D1	REVISED (ECR-14-009618)			23JAN15	S.C	H.L	



⚠	BLACK	REEL	2-1734327-2
	WHITE	REEL	1-1734327-2
⚠	BLACK	TRAY	1-1734327-1
		REEL	1734327-2
FINISH (SEE SHEET 2)	HSG. COLOR	TRAY	1734327-1
		PACKAGE	PART NUMBER

THIS DRAWING IS A CONTROLLED DOCUMENT.		DWN F. YANG 16DEC2008	<b>STE</b> TE Connectivity													
DIMENSIONS: MM		CHK S. CHIEN 16DEC2008														
TOLERANCES UNLESS OTHERWISE SPECIFIED:		APVD W. KODAMA 16DEC2008	NAME													
<table border="1"> <tr><td>0 PLC</td><td>± 0.38</td></tr> <tr><td>1 PLC</td><td>± 0.25</td></tr> <tr><td>2 PLC</td><td>± 0.13</td></tr> <tr><td>3 PLC</td><td>± 0.05</td></tr> <tr><td>4 PLC</td><td>± -</td></tr> <tr><td>ANGLES</td><td>± 3'</td></tr> </table>		0 PLC	± 0.38	1 PLC	± 0.25	2 PLC	± 0.13	3 PLC	± 0.05	4 PLC	± -	ANGLES	± 3'	PRODUCT SPEC 108-57062	MINI USB CONNECTOR A SERIES, RCPT, R/A, SMT TYPE	
0 PLC	± 0.38															
1 PLC	± 0.25															
2 PLC	± 0.13															
3 PLC	± 0.05															
4 PLC	± -															
ANGLES	± 3'															
MATERIAL SEE SHEET 2		QUALIFICATION TEST REPORT 501-57070	SIZE A3	CAGE CODE 00779												
FINISH SEE SHEET 2		WEIGHT 0.76 GRAMS	DRAWING NO C=1734327	RESTRICTED TO												
CUSTOMER DRAWING			SCALE	SHEET 1 of 4												
			REV	D1												

LOC	DIST	REVISIONS			
P	LTR	DESCRIPTION	DATE	DWN	APVD
		SEE SHEET 1.			



RECOMMENDED PCB LAYOUT (MOUNTING SIDE)  
 (THICKNESS=1.57mm) (TOLERANCE=±0.05mm)

- NOTES:
- MATERIAL:  
 HOUSING: PA9T ,WITH 30% GF, UL 94V-0, COLOR: SEE TABLE.  
 CONTACT: PHOSPHOR BRONZE, THICKNESS:0.25±0.05mm.  
 SHELL: PHOSPHOR BRONZE, THICKNESS:0.40±0.05mm.
  - FINISH:  
 CONTACTS: GOLD FLASH OVER  
 0.76µm [30µ" ] MIN. PALLADIUM-NICKEL PLATED ON CONTACT AREA,  
 2.54µm [100µ" ] MIN. MATTE-TIN PLATED ON OLDER TAILS:  
 1.27µm [50µ" ] MIN. NICKEL UNDERPLATED ALL OVER.  
 SHELL: 1.27µm [50µ" ] MIN. NICKEL PLATED ALL OVER
  - REFLOW SOLDER CAPABLE TO 260°C PER TE SPEC 109-201  
 CONDITION B.
  - FINISH:  
 CONTACTS: GOLD FLASH OVER  
 0.76µm [30µ" ] MIN. PALLADIUM-NICKEL PLATED ON CONTACT AREA,  
 3.0µm [118µ" ] MIN. MATTE-TIN PLATED ON SOLDER TAILS :  
 1.27µm [50µ" ] MIN. NICKEL UNDERPLATED OVERALL.  
 SHELL: 0.76~2.28µm [30~90µ" ] MATTE TIN  
 1.27µm [50µ" ] MIN. NICKEL UNDERPLATED

THIS DRAWING IS A CONTROLLED DOCUMENT.		DWN	TE Connectivity	
DIMENSIONS: MM		CHK		
		APVD	NAME	
TOLERANCES UNLESS OTHERWISE SPECIFIED:		PRODUCT SPEC	MINI USB CONNECTOR A SERIES, RCPT, R/A, SMT TYPE	
0 PLC ± -		APPLICATION SPEC	SIZE	RESTRICTED TO
1 PLC ± -		WEIGHT	A3	
2 PLC ± -			CAGE CODE	
3 PLC ± -			DRAWING NO	
4 PLC ± -			A300779	
ANGLES ± -			C=1734327	
MATERIAL	FINISH	CUSTOMER DRAWING	SCALE	SHEET 2 of 4
				REV D1

4

3

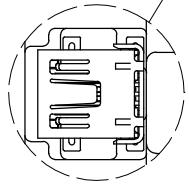
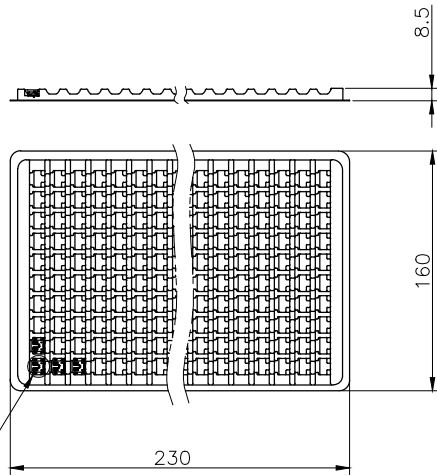
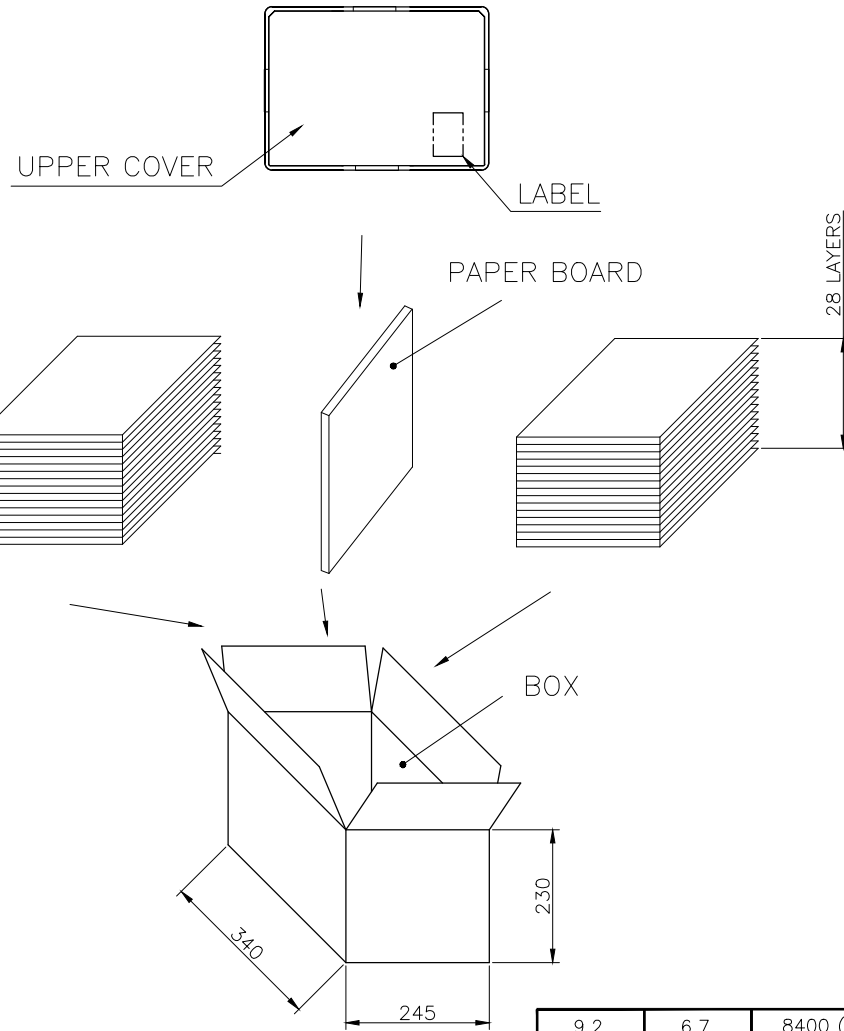
2

1

THIS DRAWING IS UNPUBLISHED. RELEASED FOR PUBLICATION AUG ,2006.

© COPYRIGHT BY TYCO ELECTRONICS CORPORATION. ALL RIGHTS RESERVED.

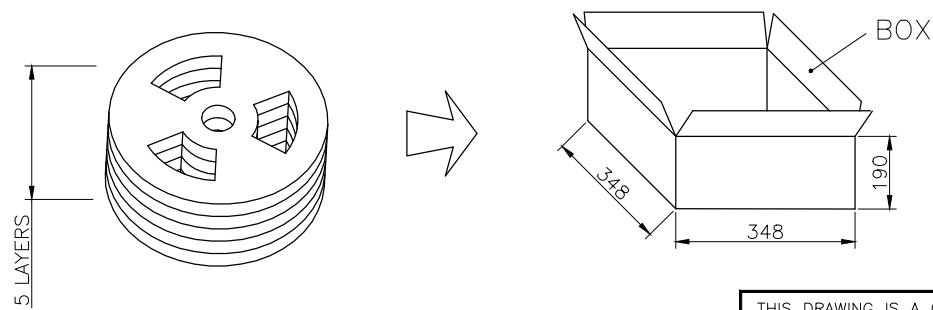
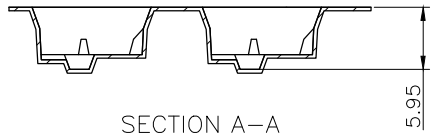
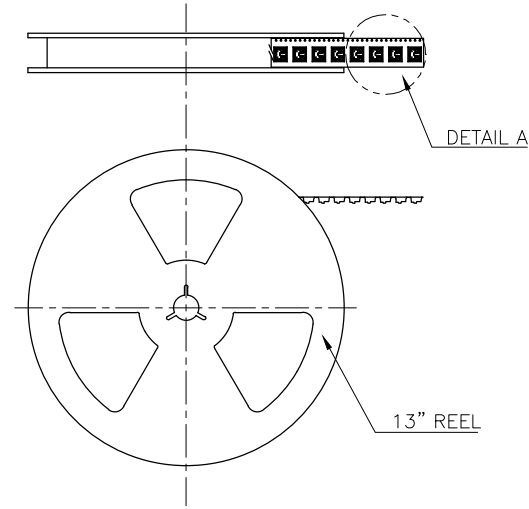
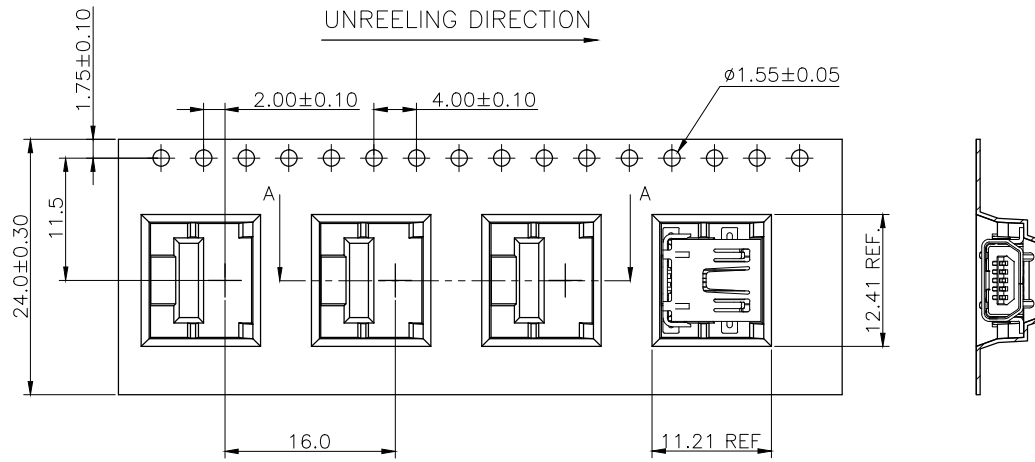
LOC	DIST	REVISIONS		
DW		P	LTR	DATE
		DESCRIPTION		DWN
		SEE SHEET 1.		APVD



9.2	6.7	8400 (56 TRAYS)	150
G.W(KGS)	N.W(KGS)	QUANTITY/ BOX	PCS/ TRAY

THIS DRAWING IS A CONTROLLED DOCUMENT.		DWN	<b>STE</b> TE Connectivity	
DIMENSIONS: MM		CHK		
TOLERANCES UNLESS OTHERWISE SPECIFIED:		APVD	NAME	
0 PLC ± -		PRODUCT SPEC	MINI USB CONNECTOR	
1 PLC ± -		APPLICATION SPEC	A SERIES, RCPT, R/A, SMT TYPE	
2 PLC ± -		WEIGHT	SIZE	RESTRICTED TO
3 PLC ± -			A300779	
4 PLC ± -			C=1734327	
ANGLES ± -		CUSTOMER DRAWING	SCALE	SHEET 3 of 4
MATERIAL				REV D1
FINISH				

LOC DW	DIST	REVISIONS		
P	LTR	DESCRIPTION	DATE	DWN APVD
		SEE SHEET 1.		



- NOTES:
1. APPLICABLE DOCUMENT: EIA-481-2
  2. PACKAGE: 700 PCS/REEL, 5 REELS/BOX  
W.G.:6.5Kg, N.G.: 5.5Kg
  3. QUANTITY: 3500 PCS.

6.5	5.5	3500	700
G.W(KGS)	N.W(KGS)	QUANTITY/ BOX	PCS/ REEL

THIS DRAWING IS A CONTROLLED DOCUMENT.		DWN	<b>STE</b> TE Connectivity	
DIMENSIONS: MM		CHK		
TOLERANCES UNLESS OTHERWISE SPECIFIED:		APVD	NAME	
0 PLC ± -		PRODUCT SPEC	MINI USB CONNECTOR	
1 PLC ± -		APPLICATION SPEC	A SERIES, RCPT, R/A, SMT TYPE	
2 PLC ± -		WEIGHT	SIZE	RESTRICTED TO
3 PLC ± -			A300779	
4 PLC ± -			C=1734327	
ANGLES ± -		CUSTOMER DRAWING	SCALE	SHEET 4 of 4
FINISH				REV D1